

8. Mounting of circuit breaker

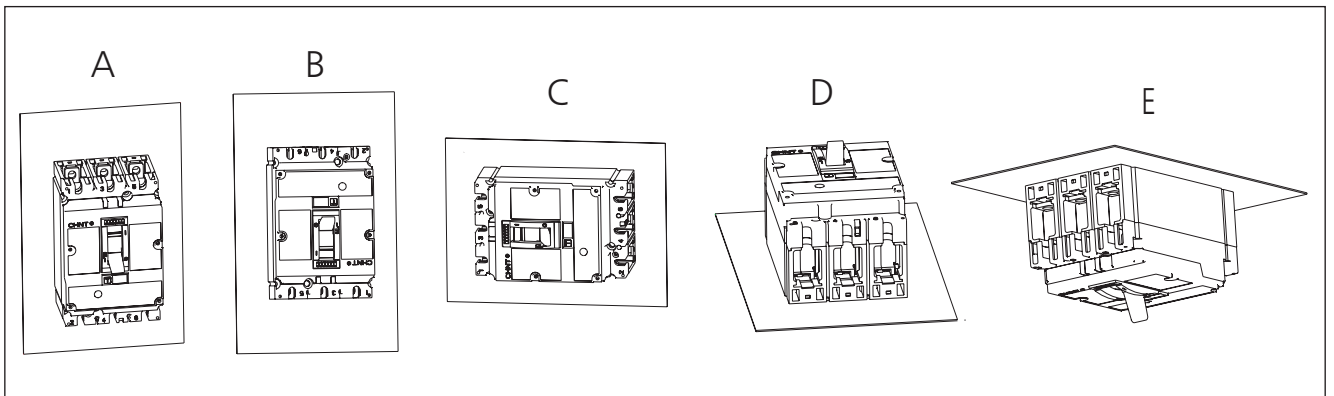
8.1 Modes of down-lead

Two modes of upper and lower down-lead are available; adoption of different down-lead modes will not affect normal operation of breaker, in addition, it is no need for derating.



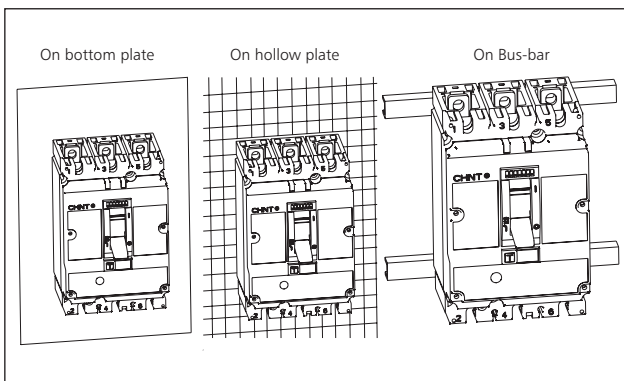
8.2 Modes of mounting

Mounting modes following are available for fixed and plug-in type breakers.

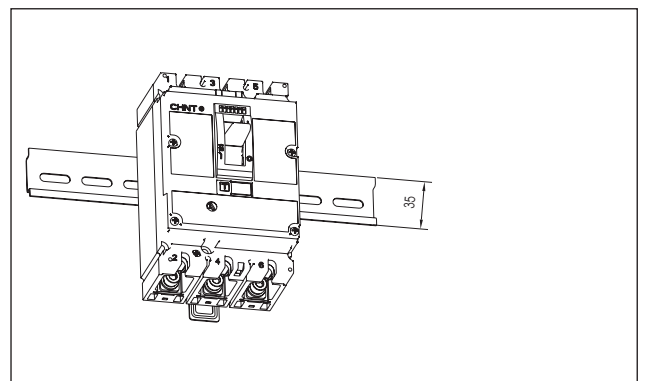


8.3 Modes of fixing

8.3.1 Fixing modes following are available for fixed and plug-in type breakers.

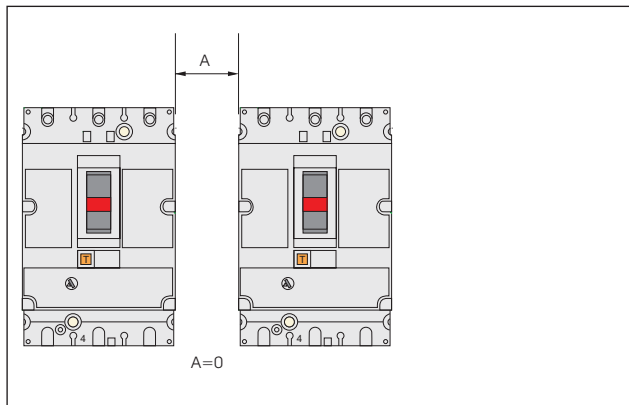


8.3.2 Fixing mode following is available for NM8(S)-125, 250 for fixed type breakers, which adopts DIN rail adaptor of front connection.

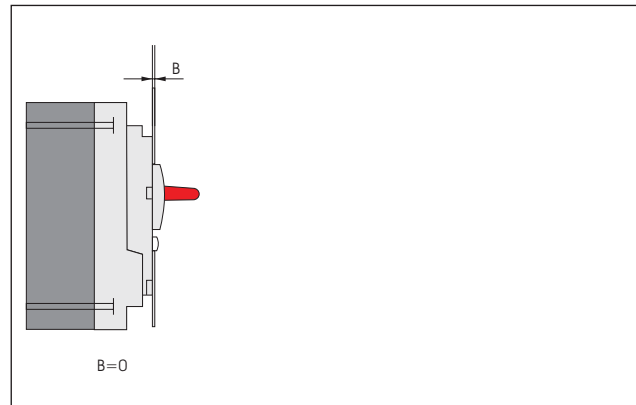


8.4 Secured distance

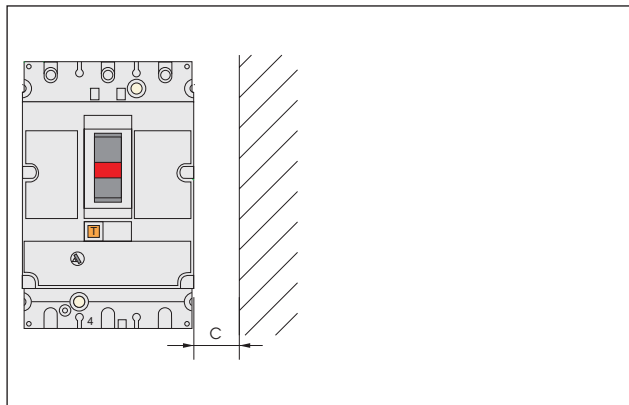
8.4.1 Min. Distance between breakers



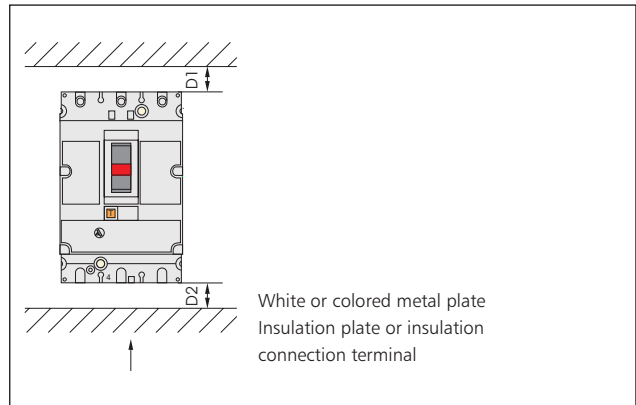
8.4.2 Min. distance between breaker and surface of switchgear where the operation handle is exposed.



8.4.3 Min. distance between breaker and side of switchgear



8.4.4 Min. distance between top and bottom of breaker



| NM8 Breaker | Ue | C | Insulation plate or insulation connection terminal(mm) | | White or colored metal plate(mm) | |
|----------------------------------|-----------|----|--|-----|----------------------------------|-----|
| | | | D1 | D2 | D1 | D2 |
| NM8-125 | Ue ≤ 440V | 10 | 30 | 30 | 35 | 35 |
| NM8S-125 | Ue < 600V | 20 | 30 | 30 | 35 | 35 |
| | Ue ≥ 600V | 30 | 30 | 30 | 35 | 35 |
| NM8-250 NM8S-250 | Ue ≤ 440V | 10 | 30 | 30 | 35 | 35 |
| | Ue < 600V | 20 | 30 | 30 | 35 | 35 |
| | Ue ≥ 600V | 30 | 30 | 30 | 35 | 35 |
| NM8-400, 630, NM8S-400, 630 | Ue ≤ 440V | 10 | 30 | 30 | 60 | 60 |
| | Ue < 600V | 20 | 30 | 30 | 60 | 60 |
| | Ue ≥ 600V | 30 | 30 | 30 | 100 | 100 |
| NM8-800, 1250, NM8S-800, 1250 | Ue ≤ 690V | 50 | 130 | 100 | 70 | 70 |

Note: when voltage is ≥ 500V, extended terminal cover should be mounted