

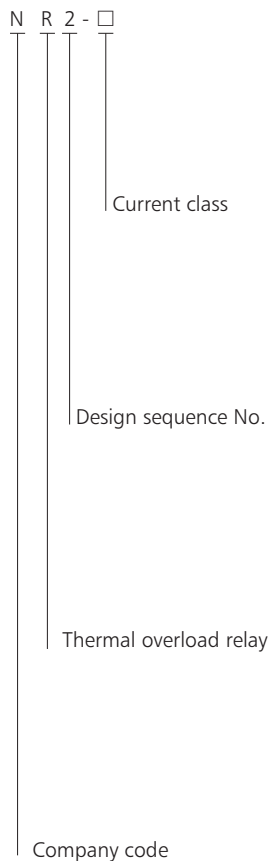


## NR2 Thermal Overload Relay

### 1. General

- 1.1 Certificates: CE, KEMA, UkrSEPRO, GOST, RCC, UL;
- 1.2 Electric ratings: AC 50/60Hz, 690V, 0.1A~630A;
- 1.3 Tripping class: 10A;
- 1.4 Mounting version:
  - a. Plug-in: Available for NR2-11.5, 25, 36, 93, 150;
  - b. Independent: Available for NR2-200, 630;
- 1.5 Standard: IEC/EN 60947-4-1

### 2. Type designation



### 3. Features

- 3.1 3-phase bimetal
- 3.2 Continuously readjustable current settings
- 3.3 Temperature compensation
- 3.4 Tripping indicator
- 3.5 Test button
- 3.6 Stop button
- 3.7 Manual and automatic reset button
- 3.8 Electrically separated 1N/O plus 1N/C contact

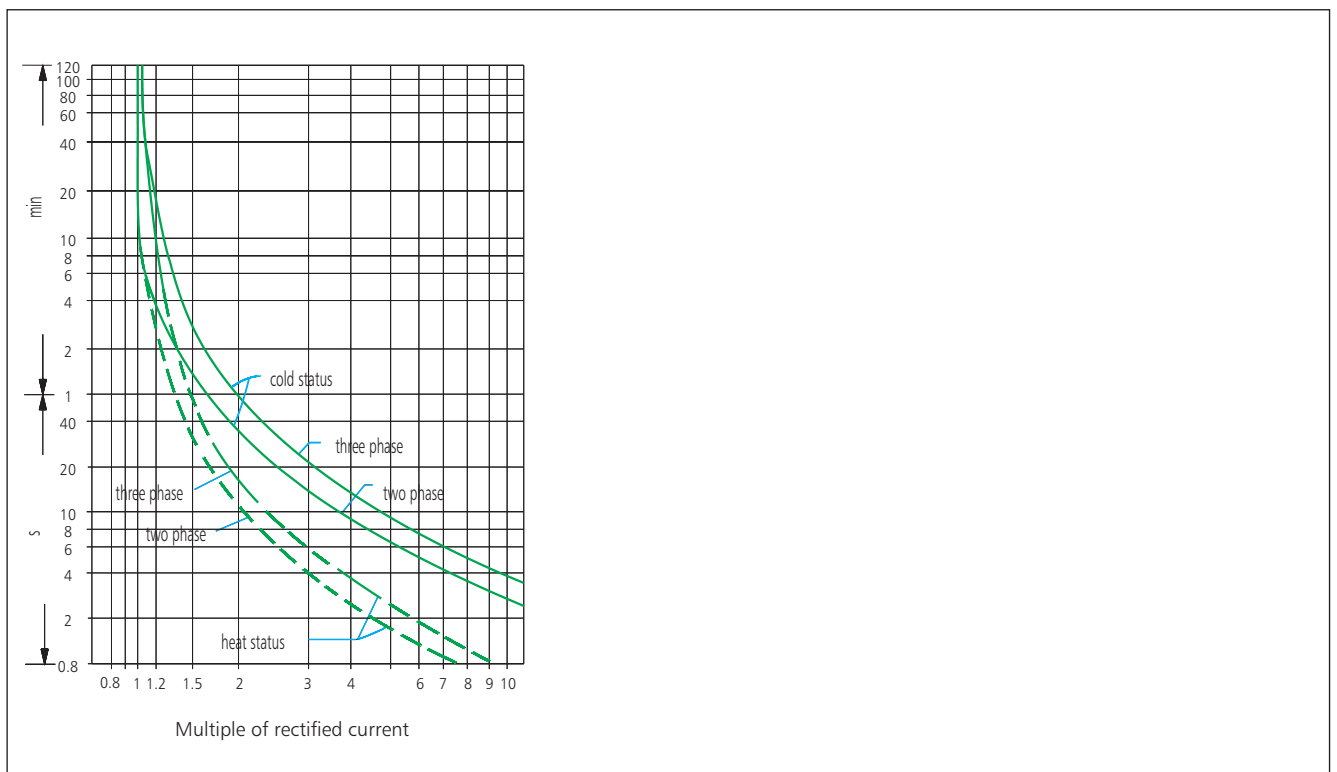


4. Technical data


4.1 Protection properties


Item	Series No.	I/In		Operating time Tp	Test condition
Overload protection	1	1.05		> 2 h	Start from cold status
	2	1.2		≤ 2 h	Start from heat status, right after item No.1
	3	1.5		≤ 2 min	Start from heat status, right after item No.1
	4	7.2		2s < Tp ≤ 10s	Start from cold status
Phase failure protection	5	Any two phases	Another phase	> 2 h	Start from cold status
		1.0	0.9		
	6	1.15	0	≤ 2 h	Start from heat status, right after item No.5



Curves






4.2 Main Technical Parameters

Model		NR2-11.5							
Picture									
Current class(A)		13							
Phase failure protection function		Yes							
Automatic & manual reset		Yes							
Temperature compensation		Yes							
Tripping indicator		Yes							
Test & stop pushbutton		Yes							
Mounting mode	Plug-in	Yes							
	Independent	Yes							
Auxiliary contacts	No. of contacts	1N/O+1N/C							
	Rated current (A) (AC-15 220V)	2.73							
	Rated current (A) (AC-15 380V)	1.58							
	Rated current (A) (DC-13 220V)	0.2							
		Current setting range							
Rated operational current(A)		0.1~0.16	0.16~0.25	0.25~0.40	0.40~0.63	0.63~1	1~1.6	1.25~2	
Matched fuse	aM(A)	0.25	0.5	1	1	2	2	4	
	gG(A)	2	2	2	2	4	4	6	

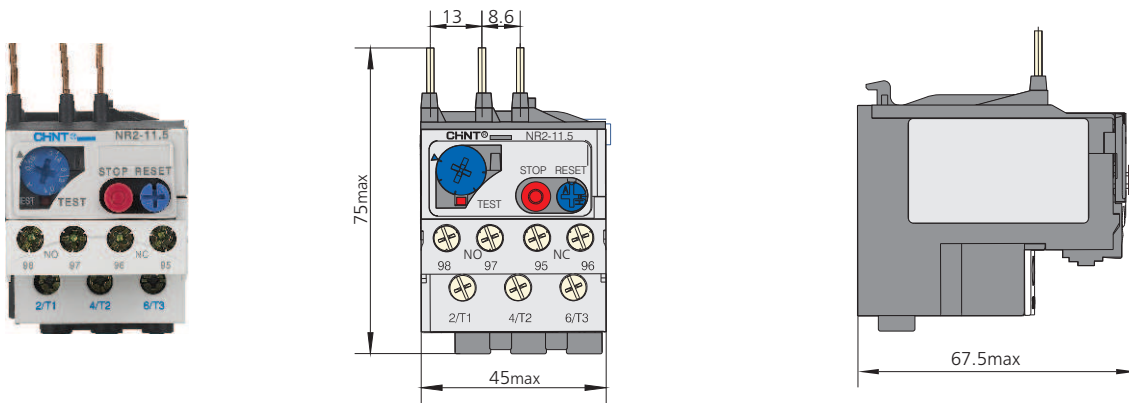
Model		NR2-93							
Picture									
Current class(A)		93							
Phase failure protection function		Yes							
Automatic & manual reset		Yes							
Temperature compensation		Yes							
Tripping indicator		Yes							
Test & stop pushbutton		Yes							
Mounting mode	Plug-in	Yes							
	Independent	Yes							
Auxiliary contacts	Configuration of contacts	1N/O+1N/C							
	Rated current (A) (AC-15 220V)	2.73							
	Rated current (A) (AC-15 380V)	1.58							
	Rated current (A) (DC-13 220V)	0.2							
		Current setting range							
Rated operational current(A)		23~32	30~40	37~50	48~65	55~70	63~80	80~93	
Matched fuse	aM(A)	40	40	63	63	80	80	100	
	gG(A)	63	100	100	100	125	125	160	

NR2-25								NR2-36	
									
25								36	
Yes								Yes	
Yes								Yes	
Yes								Yes	
Yes								Yes	
Yes								Yes	
Yes								Yes	
Yes								Yes	
1N/O+1N/C								1N/O+1N/C	
2.73								2.73	
1.58								1.58	
0.2								0.2	
Current setting range								Current setting range	
1.6~2.5	2.5~4	4~6	5.5~8	7~10	9~13	12~18	17~25	23~32	28~36
4	6	8	12	12	16	20	25	40	40
6	10	16	20	20	25	35	50	63	80

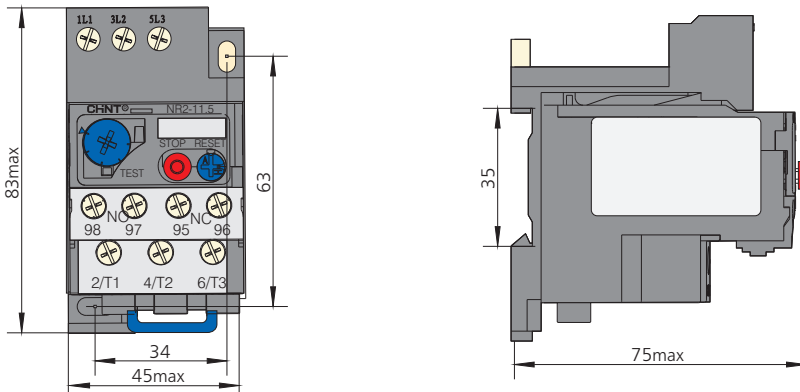
NR2-150			NR2-200			NR2-630				
										
150			200			630				
Yes			Yes			Yes				
Yes			Yes			Yes				
Yes			Yes			Yes				
Yes			Yes			Yes				
Yes			Yes			Yes				
Yes			No			No				
No			Yes			Yes				
1N/O+1N/C			1N/O+1N/C			1N/O+1N/C				
2.73			2.73			2.73				
1.58			1.58			1.58				
0.2			0.2			0.2				
Current setting range			Current setting range			Current setting range				
80~104	95~120	110~150	80~125	100~160	125~200	160~250	200~315	250~400	315~500	400~630
125	125	160	125	160	200	250	315	400	500	630
200	224	250	200	250	315	400	500	630	800	800

5. Overall and mounting dimensions (mm)

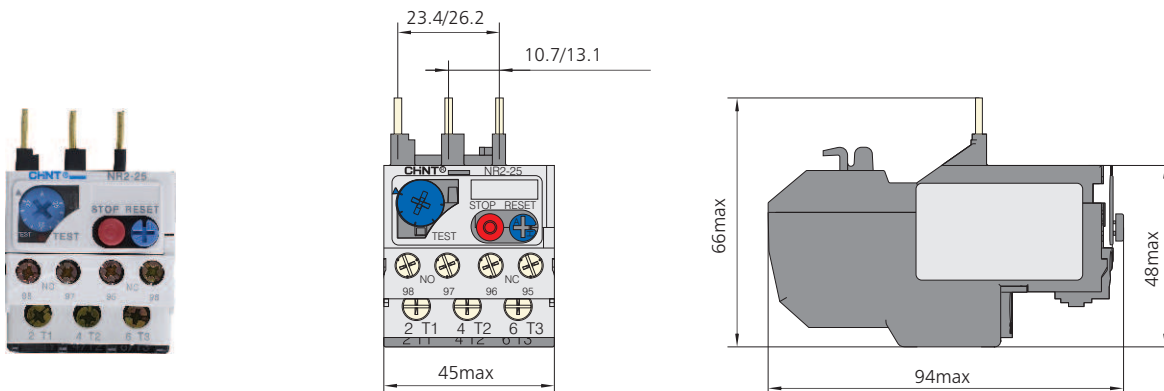
NR2-11.5



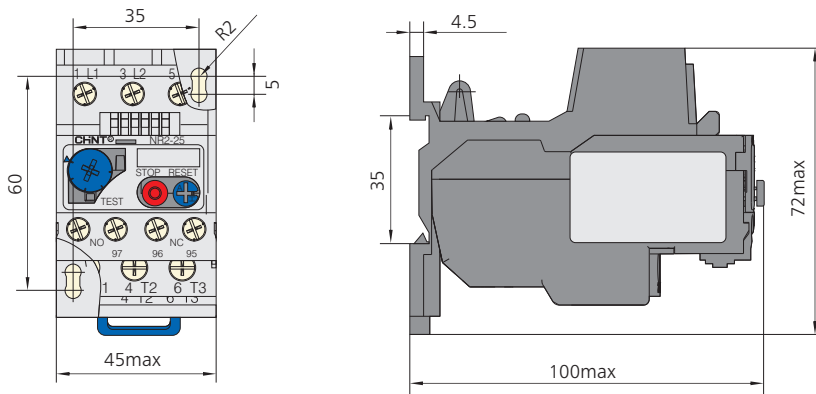
NR2-11.5 with Mounting Block



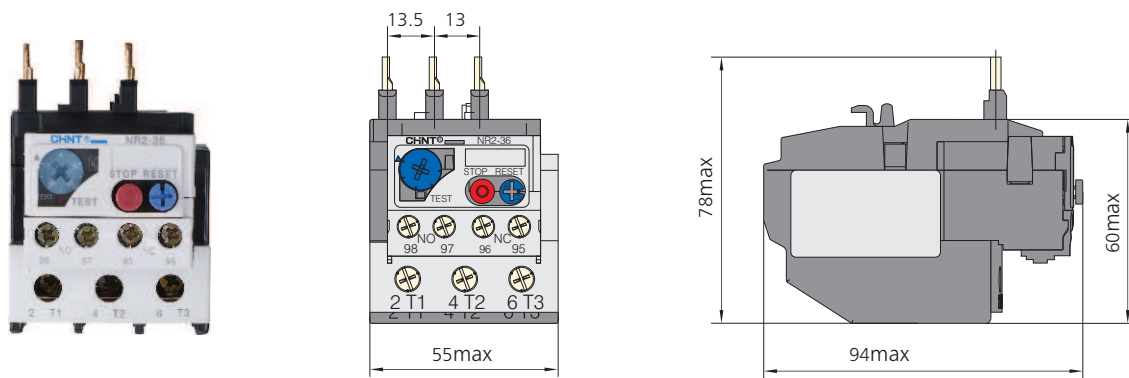
NR2-25



NR2-25 with Mounting Block



NR2-36



NR2-36 with Mounting Block

